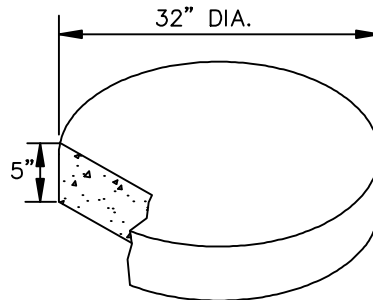


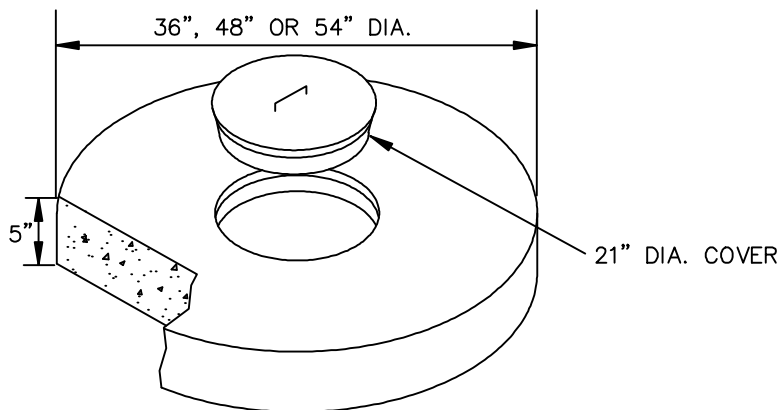
**SHOREY
PRECAST
CONCRETE
PRODUCTS**

COVERS

H-20



SOLID COVER
WEIGHT = 345 LBS.



- 36" WEIGHT = 327 LBS.
- 48" WEIGHT = 666 LBS.
- 54" WEIGHT = 872 LBS

* TOTAL - ADD 21" COVER WEIGHT 109LBS

SHOREY PRECAST CONCRETE PRODUCTS

351 Whites Path

S. Yarmouth, MA 02664

(800) 439-0965 • (508) 760-1070