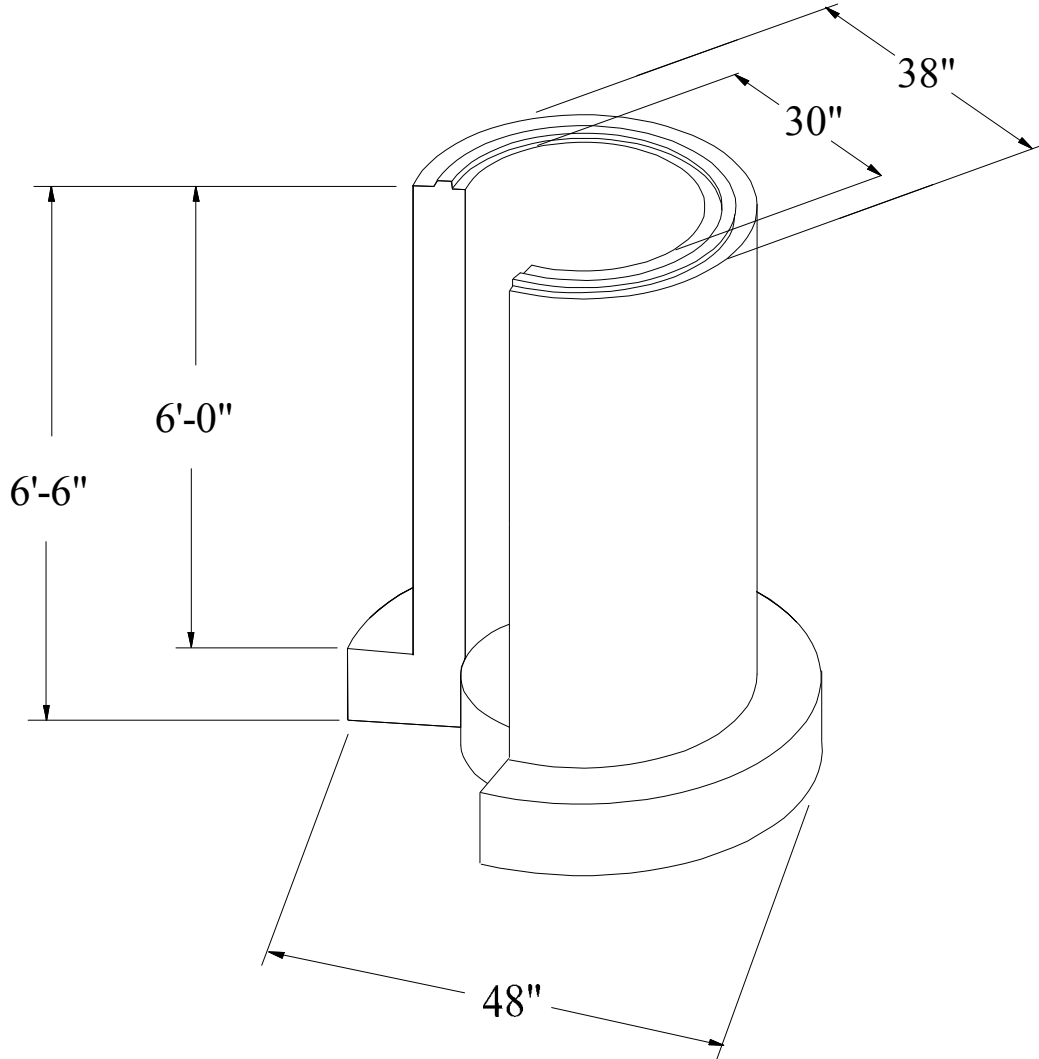


**SHOREY
PRECAST
CONCRETE
PRODUCTS**

**30" Diameter
H20 Xtra Deep
DBox**



Wt = 3475#

- Customer to Core Drill Tank as Necessary
- Concrete Minimum Strength: 5,000 P.S.I @ 28 days
- Steel Reinforcement: AS-615-68, Grade 60
- Design Loading: AASHTO - H-20
- Meets ASTM Spec. C1227

SHOREY PRECAST CONCRETE PRODUCTS

351 Whites Path

S. Yarmouth, MA 02664

(800) 439-0965 • (508) 760-1070