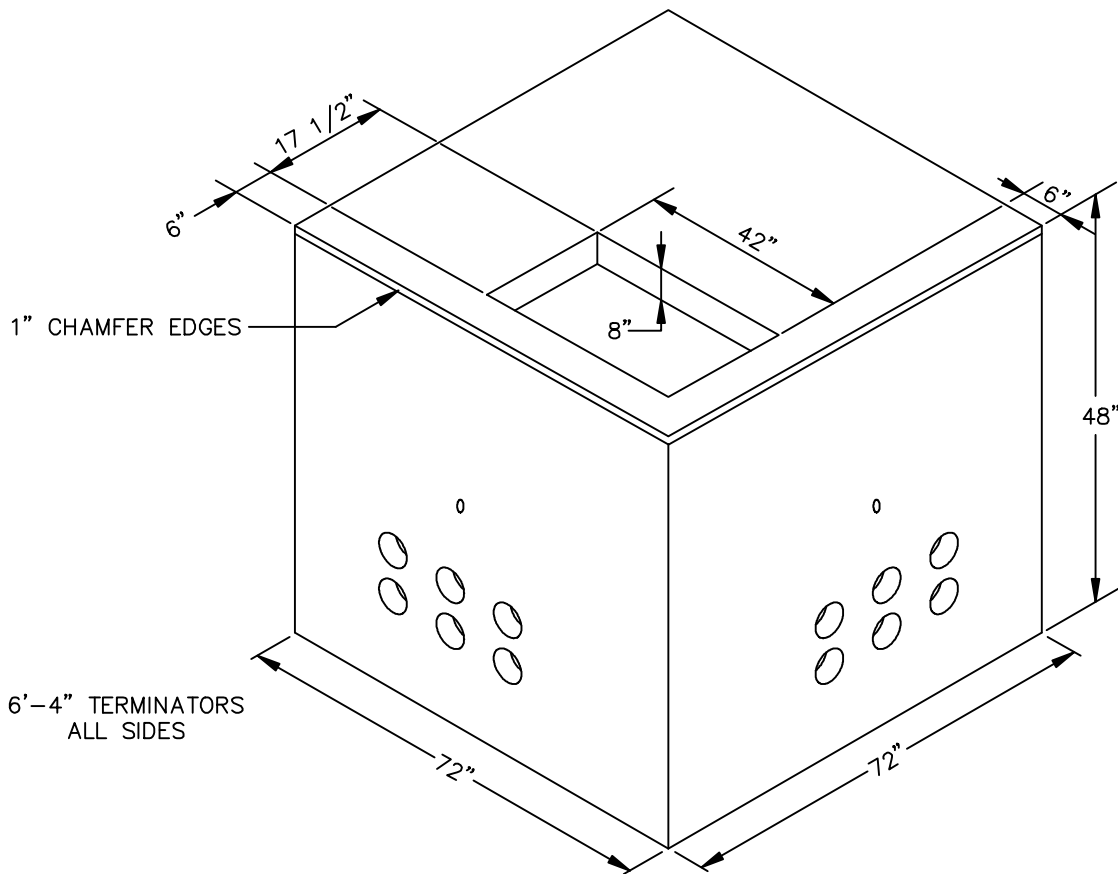
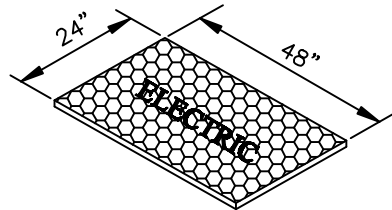


**SHOREY  
PRECAST  
CONCRETE  
PRODUCTS**

**NE - 13  
THREE PHASE  
TRANSFORMER PAD  
UP TO 300 KVA**



**SPECIFICATIONS**

- Concrete Minimum Strength: 5,000 P.S.I @ 28 days
- Cement: Portland Type II per ASTM C150-81
- Steel Reinforcement: AS-615-68, Grade 60
- Design Loading: AASHTO - H-20
- Meets ASTM Spec. C1227
- Weight: 8,325 lbs.

GALVANIZED PULLING  
EYES AVAILABLE

**SHOREY PRECAST CONCRETE PRODUCTS**

351 Whites Path  
S. Yarmouth, MA 02664  
(800) 439-0965 • (508) 760-1070