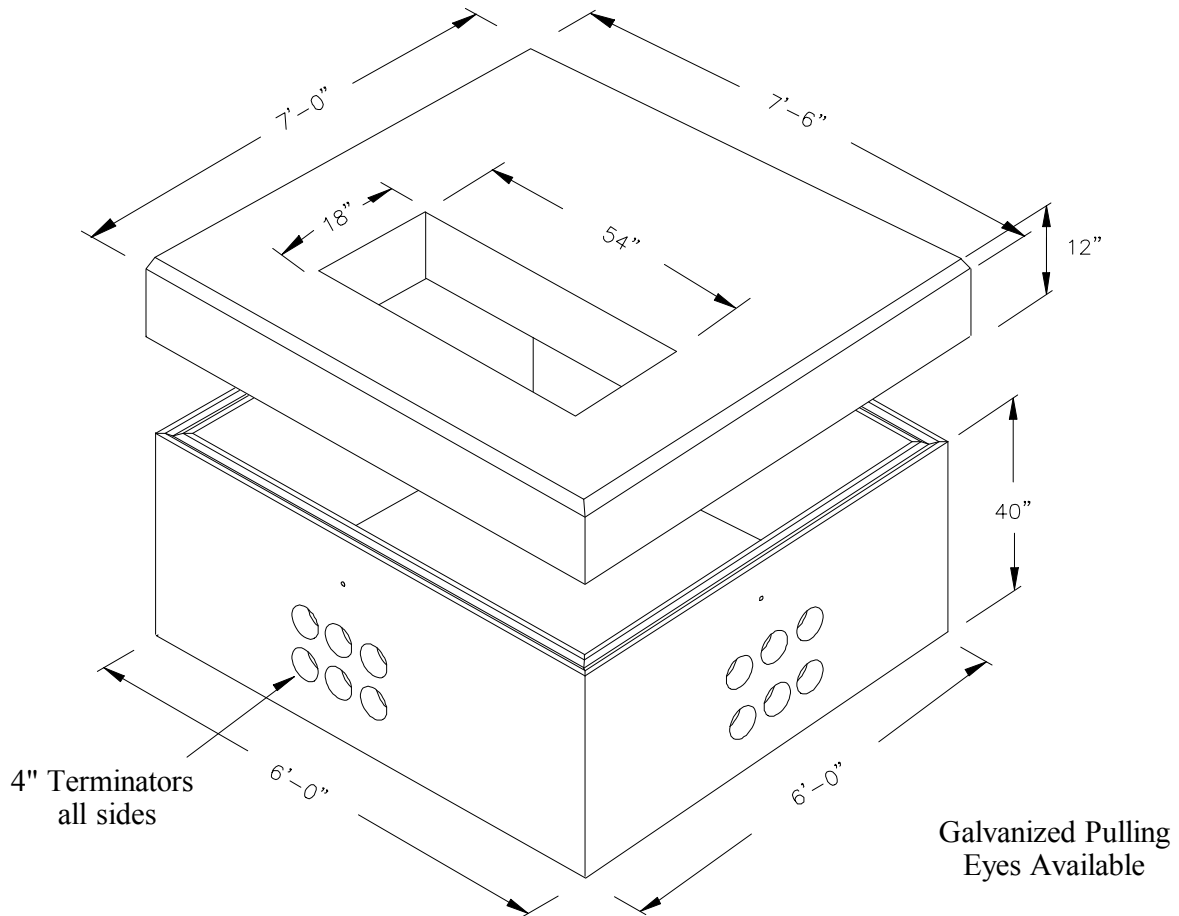


**SHOREY
PRECAST
CONCRETE
PRODUCTS**

**NE-13A
THREE PHASE
TRANSFORMER PAD
300 KVA to 1000 KVA**



Specifications:

Concrete Mimimum Strength: 5000 P.S.I. @ 28 Days
Cement: Portland Type II per ASTM C150-81
Steel reinforcement per ASTM A-615, Grade 60
Design Loading: AASHTO - HS-20

Weight:

Wt Top Section: 6771 lbs.
Wt. Bottom Section: 5277 lbs.
Total Weight: 12048 lbs.

SHOREY PRECAST CONCRETE PRODUCTS

351 Whites Path

S. Yarmouth, MA 02664

(800) 439-0965 • (508) 760-1070