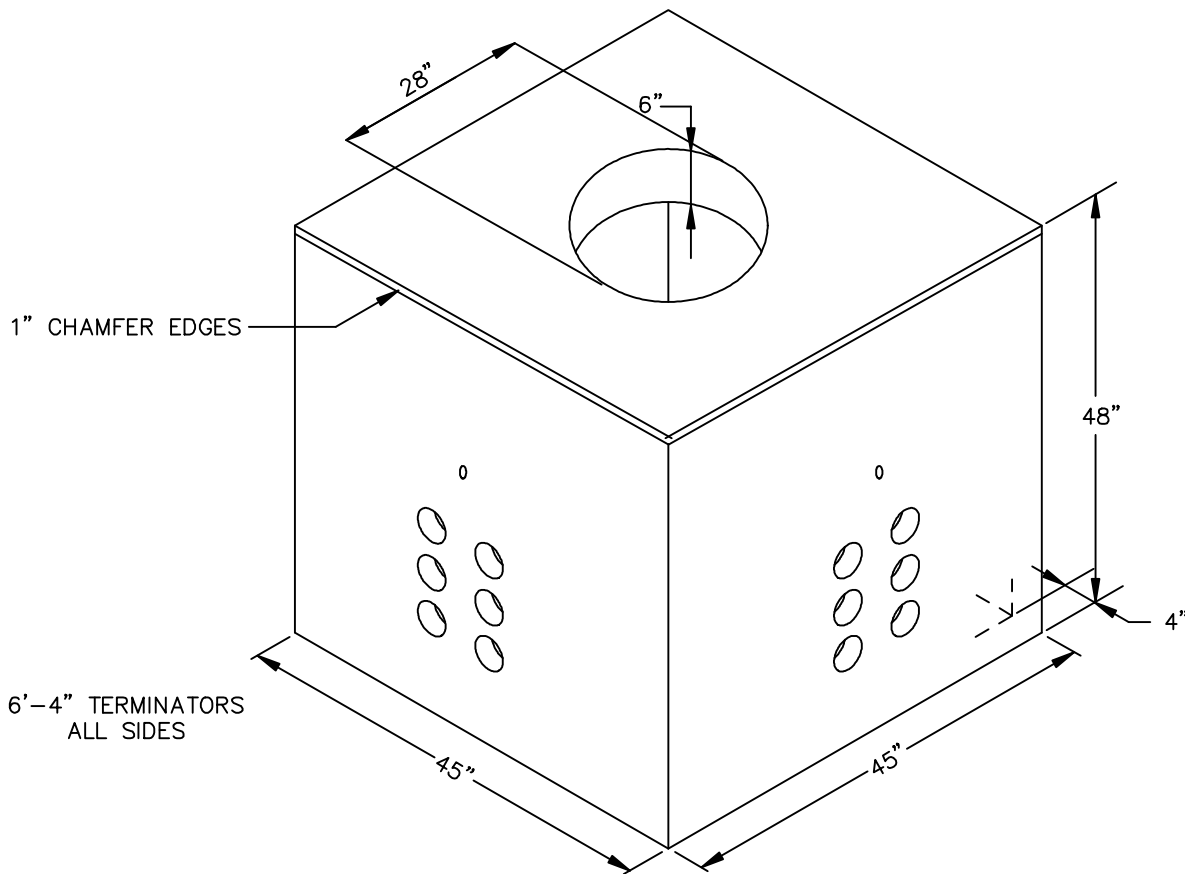


**SHOREY  
PRECAST  
CONCRETE  
PRODUCTS**

**PRIMARY/SECONDARY  
PULL BOX**

H-10  
NE-15

MANHOLE FRAME & COVER (OPTIONAL)



**SPECIFICATIONS**

- Concrete Minimum Strength: 4,000 P.S.I @ 28 days
  - Cement: Portland Type II per ASTM C150-81
  - Steel Reinforcement: AS-615-68, Grade 60
  - Design Loading: AASHTO - H-10
  - Meets ASTM Spec. C1227
- Weight: 2,981 lbs.

**SHOREY PRECAST CONCRETE PRODUCTS**

351 Whites Path  
S. Yarmouth, MA 02664  
(800) 439-0965 • (508) 760-1070