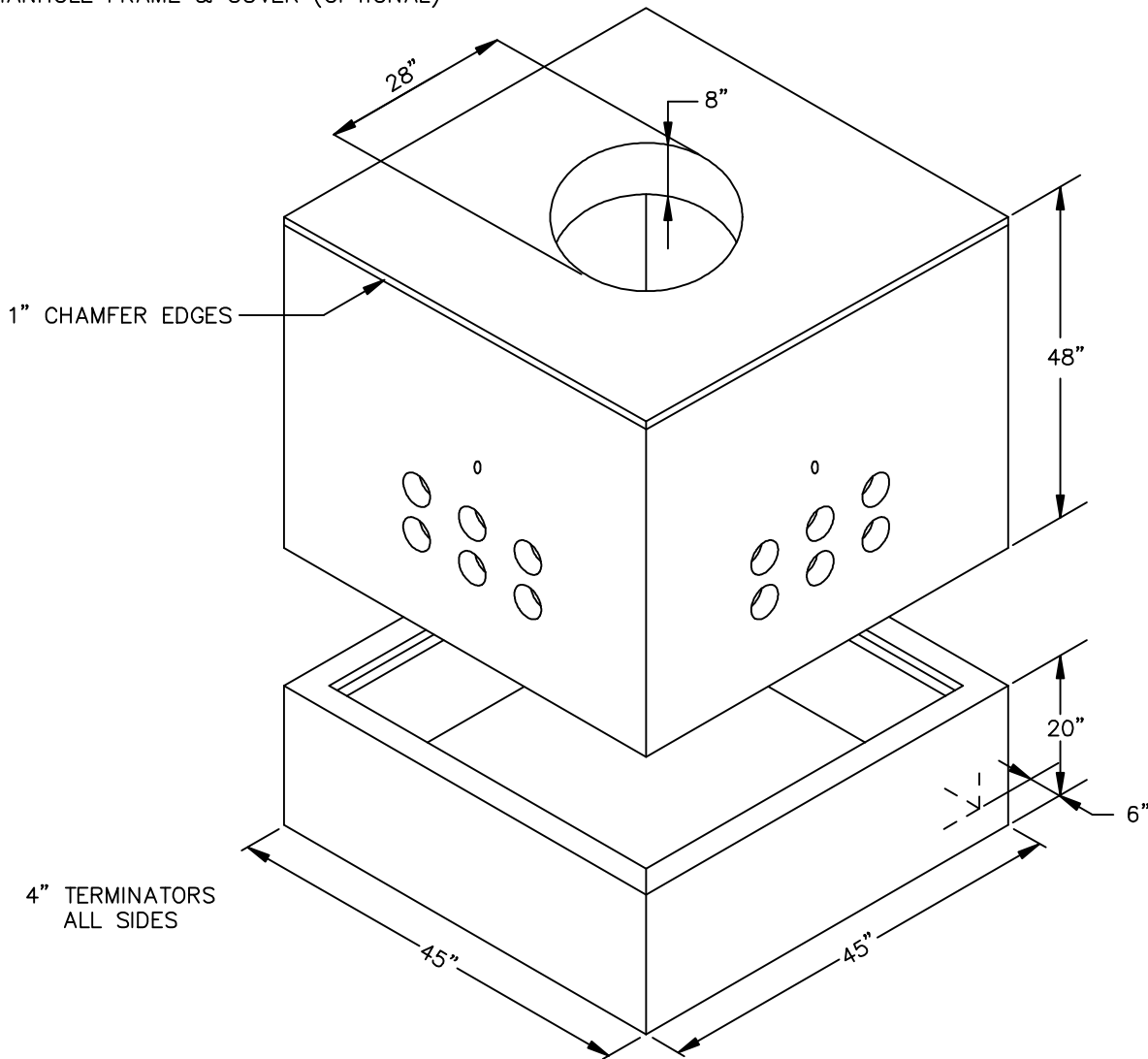


**SHOREY
PRECAST
CONCRETE
PRODUCTS**

**PRIMARY/SECONDARY
PULL BOX**

NE-15B

MANHOLE FRAME & COVER (OPTIONAL)



SPECIFICATIONS

- Concrete Minimum Strength: 5,000 P.S.I @ 28 days
- Cement: Portland Type II per ASTM C150-81
- Steel Reinforcement: AS-615-68, Grade 60
- Design Loading: AASHTO - H-20
- Meets ASTM Spec. C1227

BOTTOM SECTION WHEN SPECIFIED

WEIGHT TOP	= 8,407 LBS
WEIGHT BOTTOM	= 2,708 LBS
TOTAL WEIGHT	= 11,115 LBS

SHOREY PRECAST CONCRETE PRODUCTS

351 Whites Path

S. Yarmouth, MA 02664

(800) 439-0965 • (508) 760-1070