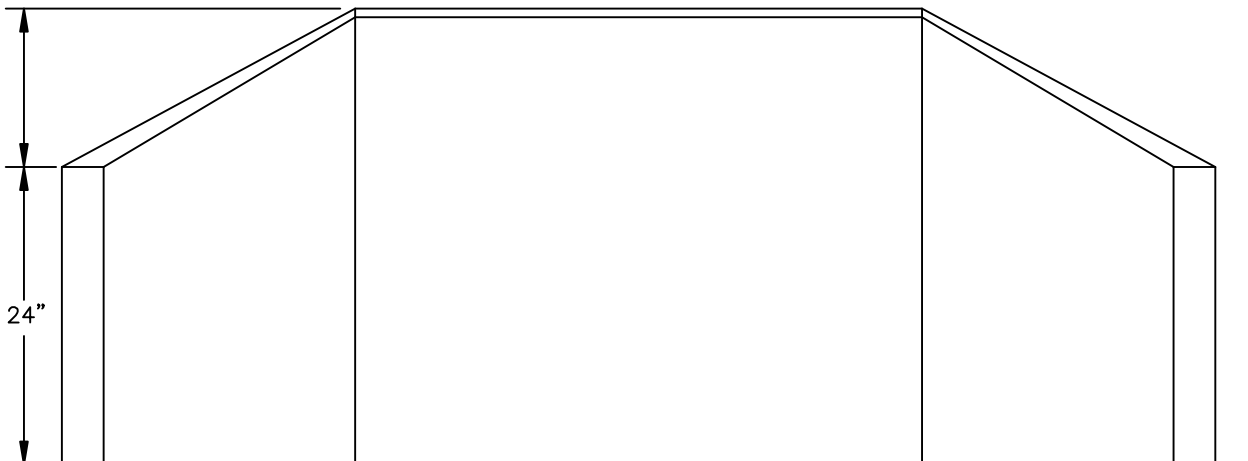
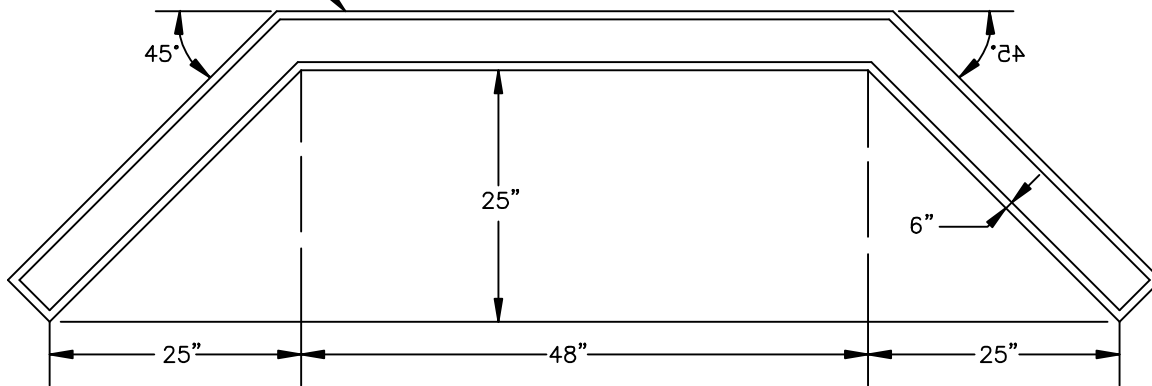


**SHOREY
PRECAST
CONCRETE
PRODUCTS**

**RETAINING WALL
for transformer pad
NE-18**

3/4" CHAMFER ON
ALL TOP EDGES



**PRECAST RETAINING WALL FOR USE WITH
TRANSFORMER PAD**

SPECIFICATIONS

- Concrete Minimum Strength: 5,000 P.S.I @ 28 days
- Cement: Portland Type II per ASTM C150-81
- Steel Reinforcement: AS-615-68, Grade 60
- Design Loading: AASHTO - H-20
- Meets ASTM Spec. C1227
- Weight: 2109 lbs.

SHOREY PRECAST CONCRETE PRODUCTS

351 Whites Path

S. Yarmouth, MA 02664

(800) 439-0965 • (508) 760-1070