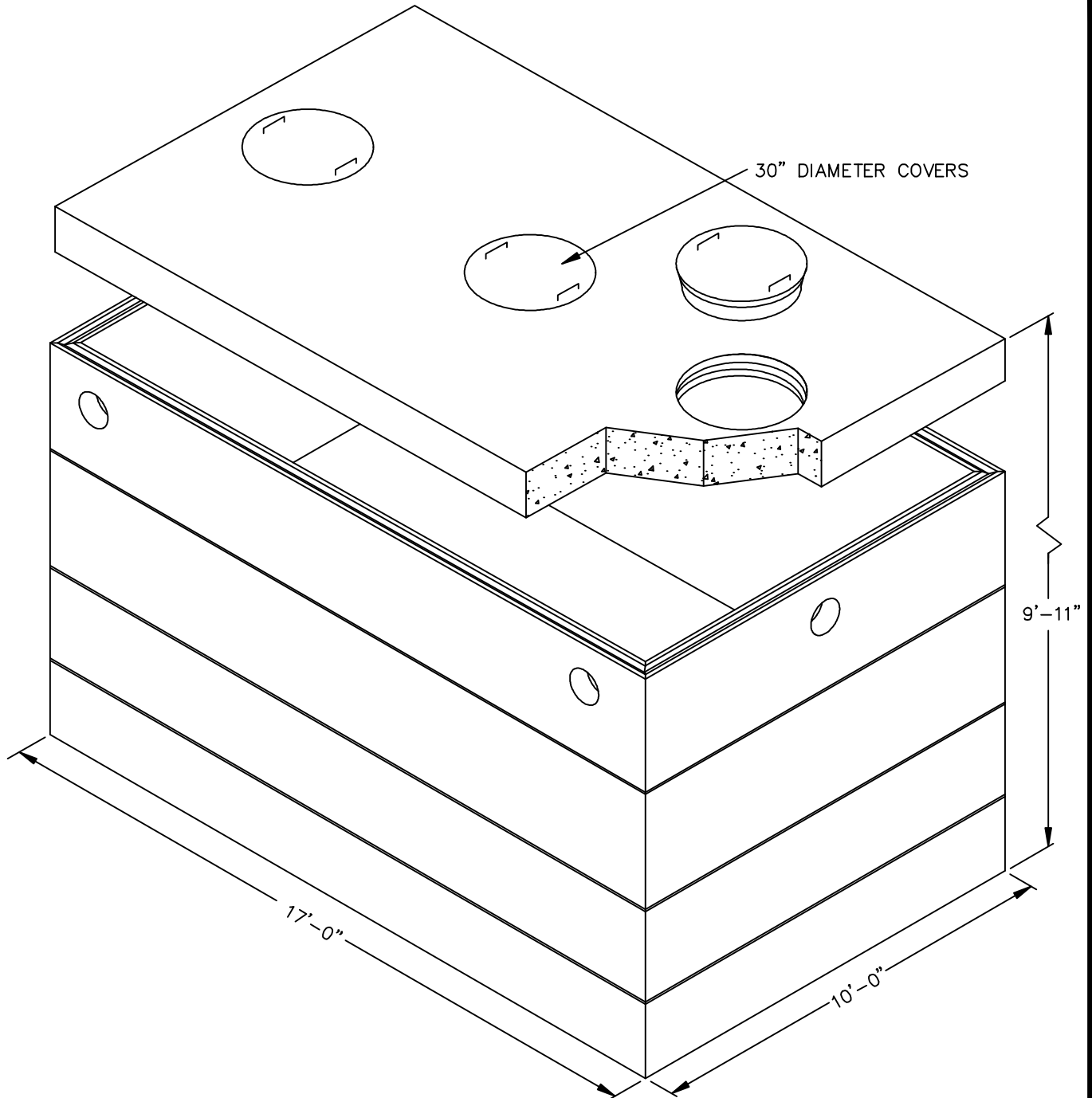


**SHOREY  
PRECAST  
CONCRETE  
PRODUCTS**

**LOW PROFILE  
SEPTIC TANK  
8,000 GALLON (H-20)  
ST-LOW-8000-H-20**



**SHOREY PRECAST CONCRETE PRODUCTS**

351 Whites Path  
S. Yarmouth, MA 02664  
(800) 439-0965 • (508) 760-1070