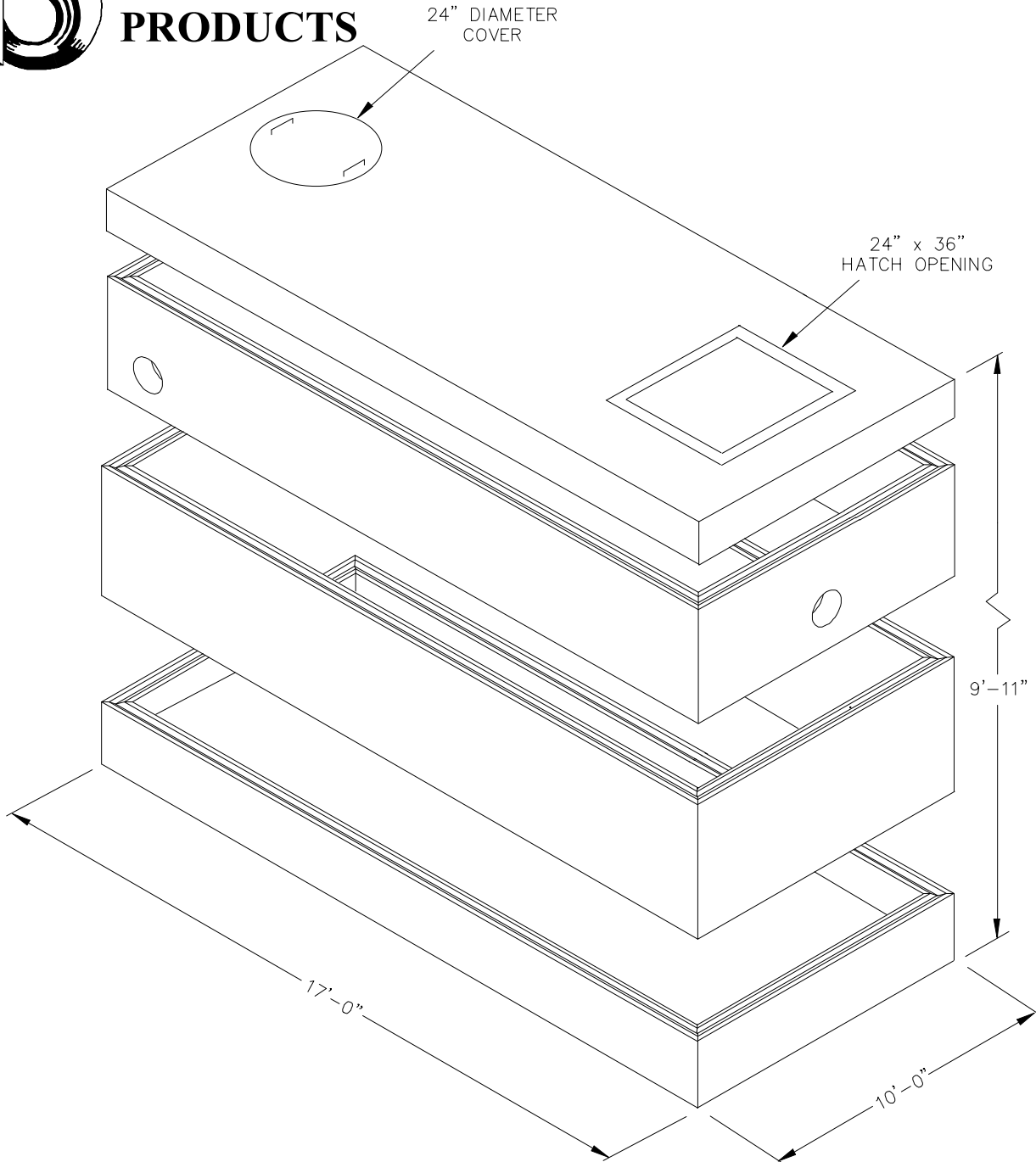


**SHOREY  
PRECAST  
CONCRETE  
PRODUCTS**

**8,000 GALLON (H-20)  
LOW PROFILE  
PUMP CHAMBER**



**SHOREY PRECAST CONCRETE PRODUCTS**

351 Whites Path

S. Yarmouth, MA 02664

(800) 439-0965 • (508) 760-1070