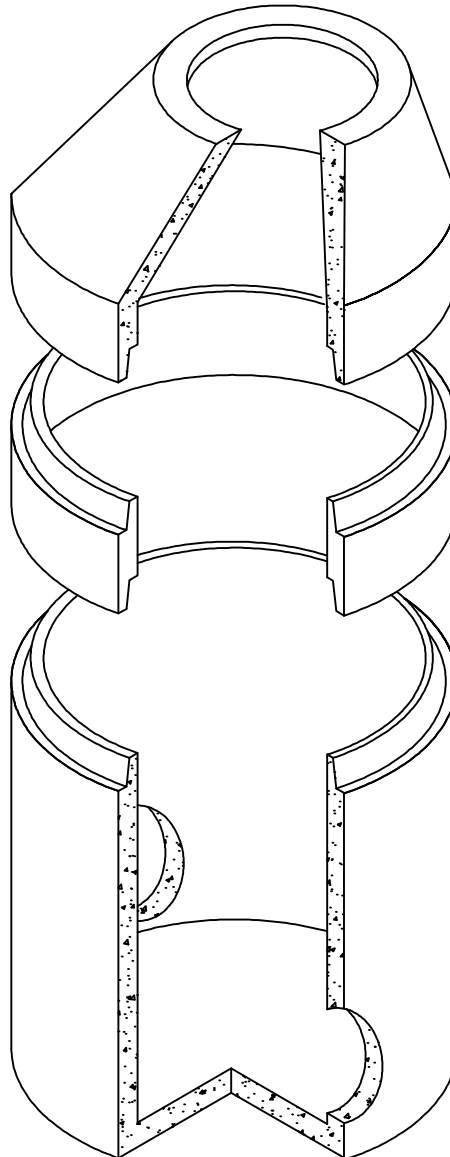


**SHOREY  
PRECAST  
CONCRETE  
PRODUCTS**

**DRAIN MANHOLE  
4'-0" DIAMETER  
DMH-4'DIA-H-20**



VARIOUS  
KNOCKOUTS  
AVAILABLE

**SHOREY PRECAST CONCRETE PRODUCTS**

351 Whites Path

S. Yarmouth, MA 02664

(800) 439-0965 • (508) 760-1070