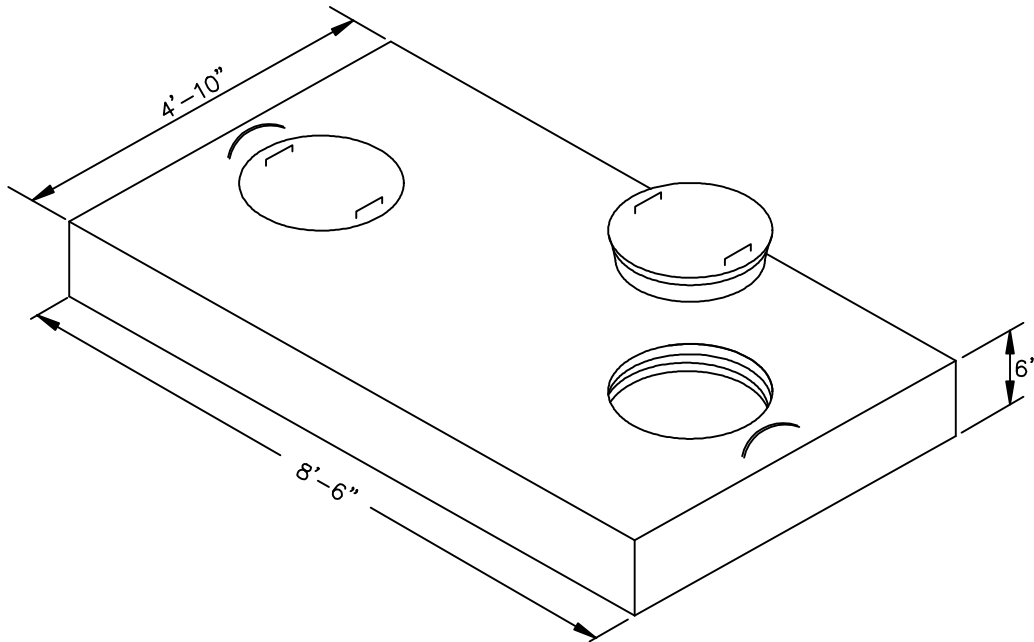


**SHOREY
PRECAST
CONCRETE
PRODUCTS**

**1,000 GALLON
TANK SLAB
H-20**



SPECIFICATIONS

Concrete Minimum Strength: 4,000 P.S.I @ 28 days
Steel Reinforcement: AS-615-68, Grade 60
Design Loading: AASHTO - H-20
Weight: 3040 lbs.

SHOREY PRECAST CONCRETE PRODUCTS

351 Whites Path

S. Yarmouth, MA 02664

(800) 439-0965 • (508) 760-1070