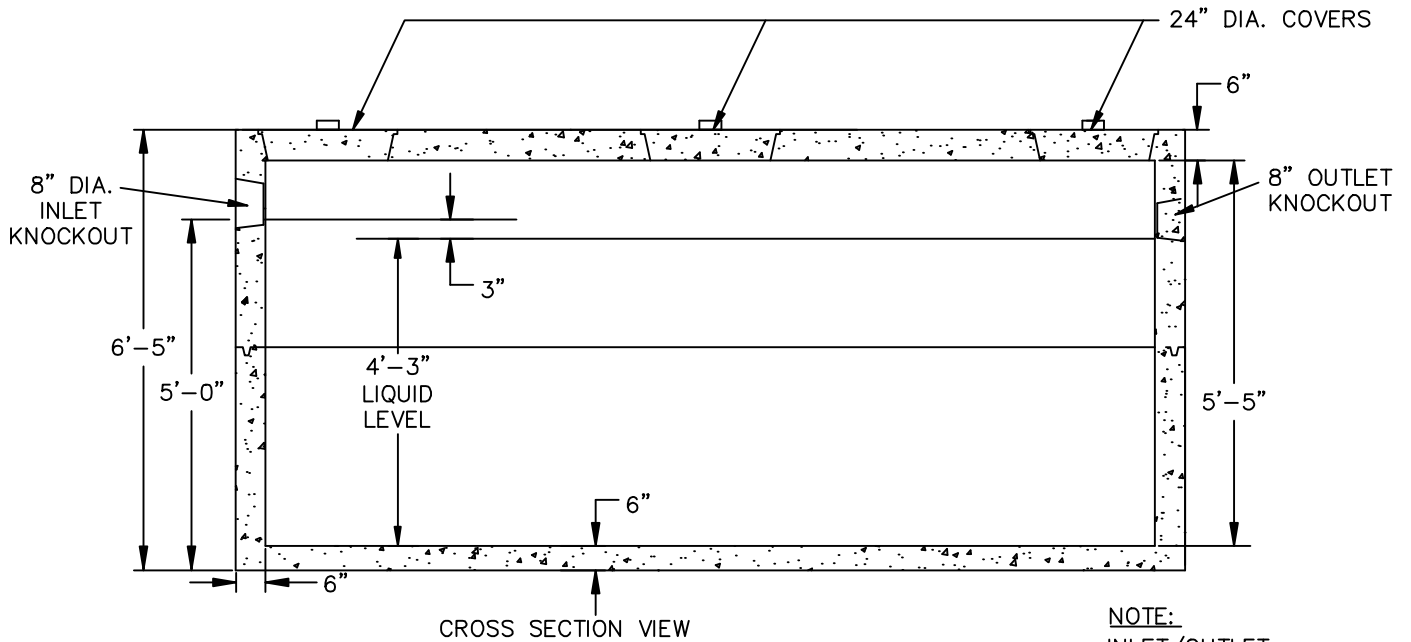
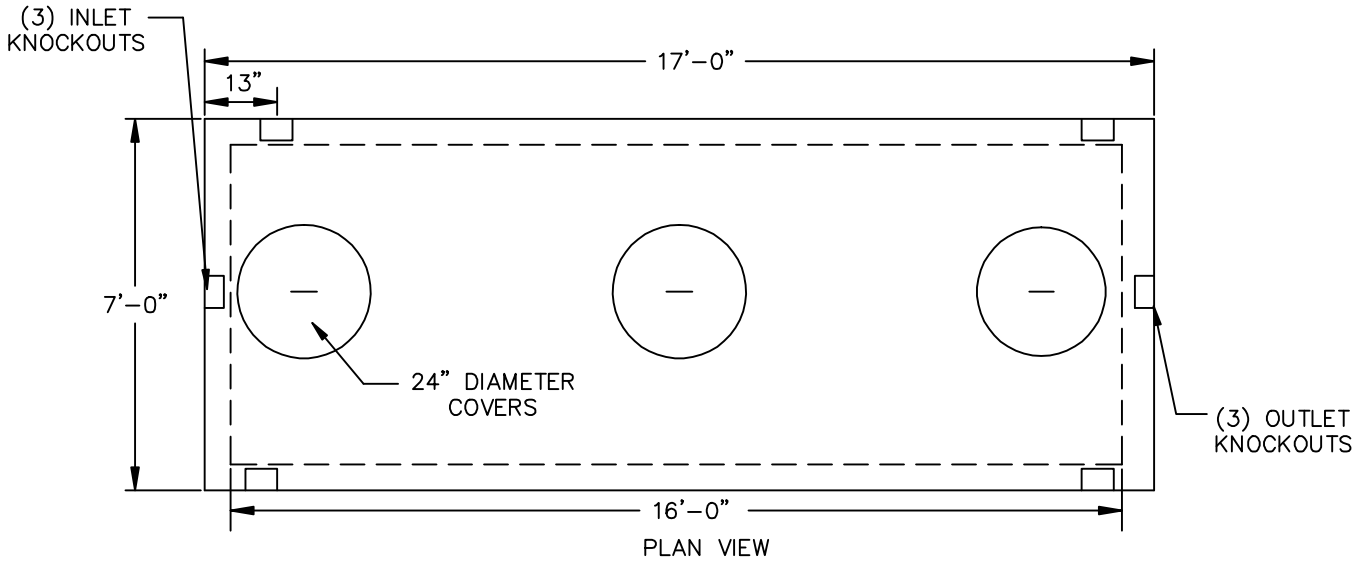


# SEPTIC TANK - 3,000 GALLON (H-20)

ST-3000-H-20



NOTE:  
INLET/OUTLET  
PVC TEES BY  
CUSTOMER

## SPECIFICATIONS

- Concrete Minimum Strength: 5,000 P.S.I @ 28 days
- Steel Reinforcement: AS-615-68, Grade 60
- Design Loading: AASHTO - H-20 Meets ASTM Spec. C1227
- Weight: 36,000 lbs.